

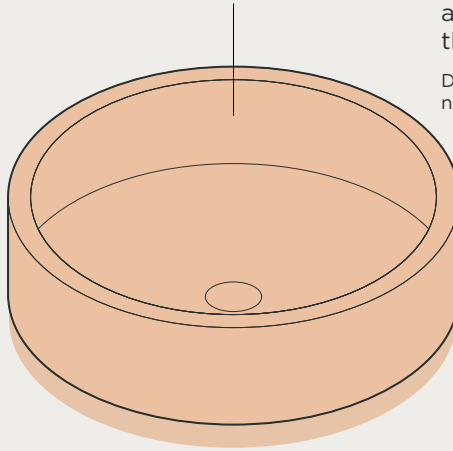
This is our installation guide for our surface mount basins.

**Your selected
concrete basin**
(design varies per basin)



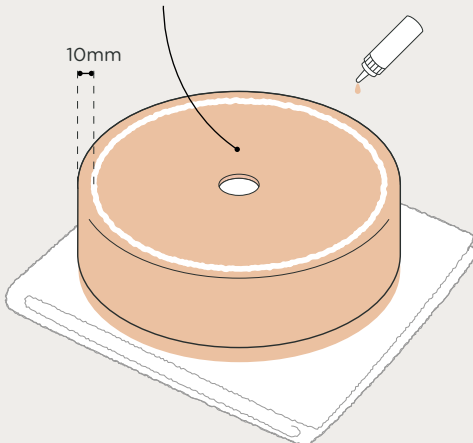
Do not place tools, taps and mixers inside or near the basin at any time.

Damage inflicted by doing so is not covered by our warranty.



01

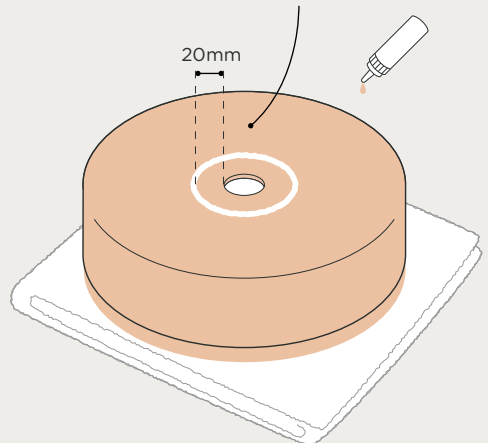
Place the basin on soft surface if turning it upside down.



Run a line of clear wet area silicon around the underside of the basin 10mm back from the edge.

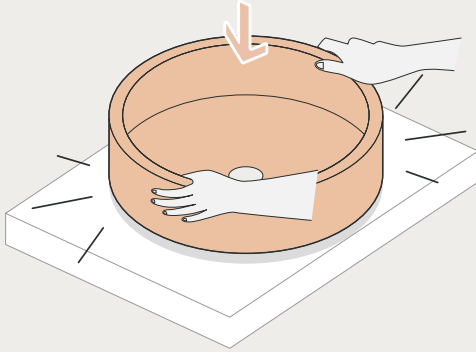
02

Place the basin on soft surface if turning it upside down.



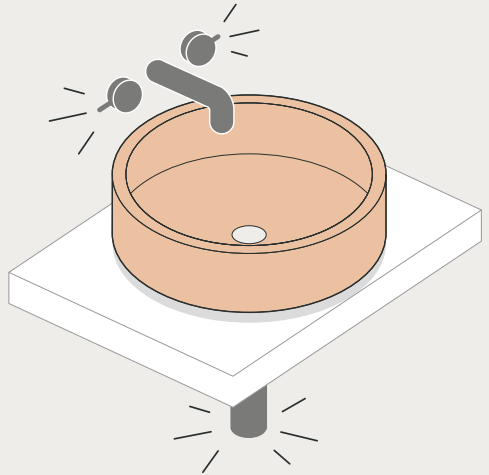
Run another line of clear wet area silicon 20mm back from the waste hole.

03



Press basin down into benchtop and remove excess silicon using wax and grease remover and soft cloth.

04



Install waste in a compliant manner. Waste must be hand tight only and not overtightened with tools.

Got a question? Drop us a line, we're here to help!

info@noodco.com.au

noodco.com.au