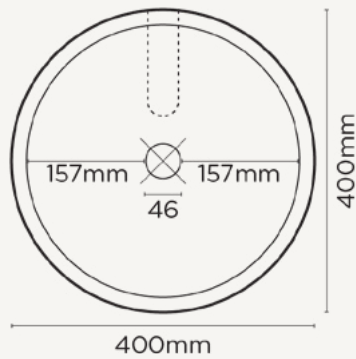
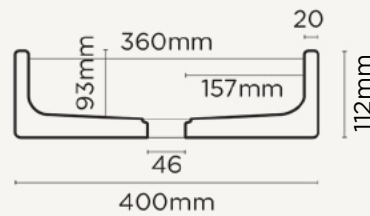




HOOP BASIN



PLAN VIEW



SECTION VIEW

# Hoop

<b>Material</b>	Ultra High Performance Concrete (UHPC)
<b>Finish</b>	Matte / Low Sheen
<b>Weight</b>	8.5kg (18.7lbs)
<b>Dimensions</b>	D400mm x H112mm (D15in x H4.4in)
<b>Bowl Capacity</b>	8.4L (2.97gal)
<b>Waste</b>	32mm (1 1/4in) or 40mm (1 1/2in) Standard. <b>Traditional/Non-Overflow Waste Only</b> (Not Supplied by Nood Co).
<b>Warranty</b>	Refer to <a href="#">Warranty</a> for specific information.
<b>Waste Hole Size</b>	50mm (1.97in)
<b>Wall Thickness</b>	20mm (0.8in) (subject to slight variation)
<b>Options</b>	Surface Mount / Wall Hung / Stand / Cylinder
<b>Wall Hung</b>	Mount before tiling - to timber frame or masonry wall.
<b>Colours</b>	All Nood Co Colours

For accurate colour matching, we recommend using our sample kits or visiting an authorised reseller. Natural variations and characteristics, such as patina and pinholes, are to be expected in concrete and do not constitute as defects. As this product is handmade, sizing is subject to slight variation.

[View Online](#)