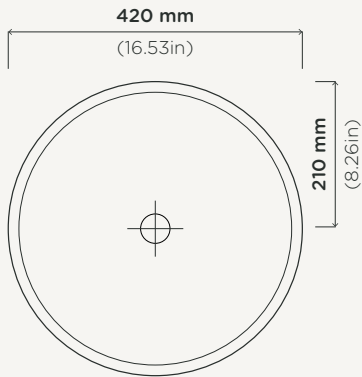
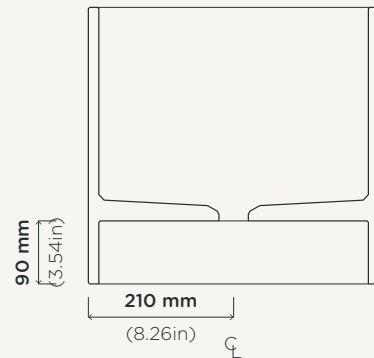


Elevation View



Plan View



Section View

## Millie

<b>Material</b>	Ultra High Performance Concrete (UHPC)
<b>Weight</b>	27kg (59.52lbs)
<b>Dimensions</b>	D420mm x H395mm (D16.5in x H15.55in)
<b>Bowl Capacity</b>	30L (7.92gal)
<b>Waste</b>	32mm (1.25in) or 40mm (1.50in) Standard <b>Non-Overflow Waste Only</b> (Not Supplied by Nood Co)
<b>Warranty</b>	Refer to <a href="#">Warranty</a> for specific information
<b>Install Guide</b>	<a href="#">installnood.co</a>
<b>Options</b>	Surface Mount Only

For accurate colour matching, we recommend using our sample kits or visiting an authorised reseller. Natural variations and characteristics, such as patina and pinholes, are to be expected in concrete and do not constitute as defects. As this product is handmade, sizing is subject to slight variation.

[View Online](#)