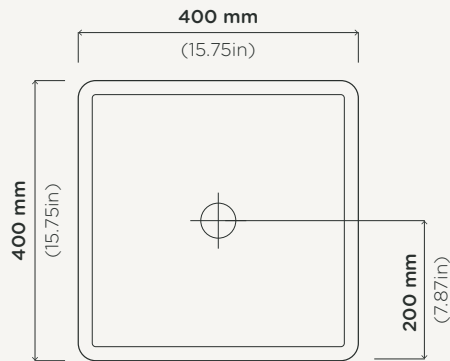
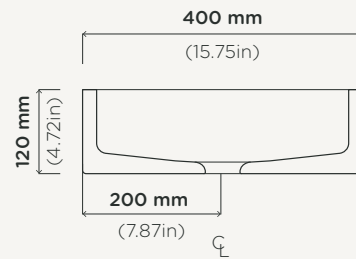


Elevation View



Plan View



Section View

Vesl Square

Material	Ultra High Performance Concrete (UHPC)
Weight	9kg (19.84lbs)
Dimensions	L400mm x W400mm x H120mm (L15.75in x W15.75in x H4.72in)
Bowl Capacity	13.7L (3.62gal)
Waste	32mm (1.25in) or 40mm (1.50in) Standard Non-Overflow Waste Only (Not Supplied by Nood Co)
Warranty	Refer to Warranty for specific information
Install Guide	installnood.co
Options	Surface Mount / Wall Mount / Stand
Wall Mount	Bracket must be mounted to the wall before tiling.

For accurate colour matching, we recommend using our sample kits or visiting an authorised reseller. Natural variations and characteristics, such as patina and pinholes, are to be expected in concrete and do not constitute as defects. As this product is handmade, sizing is subject to slight variation.

[View Online](#)